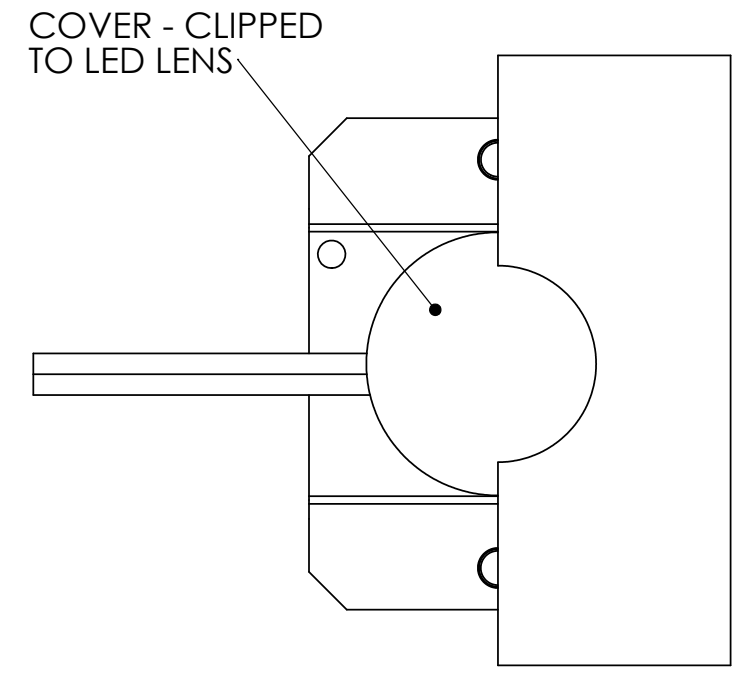
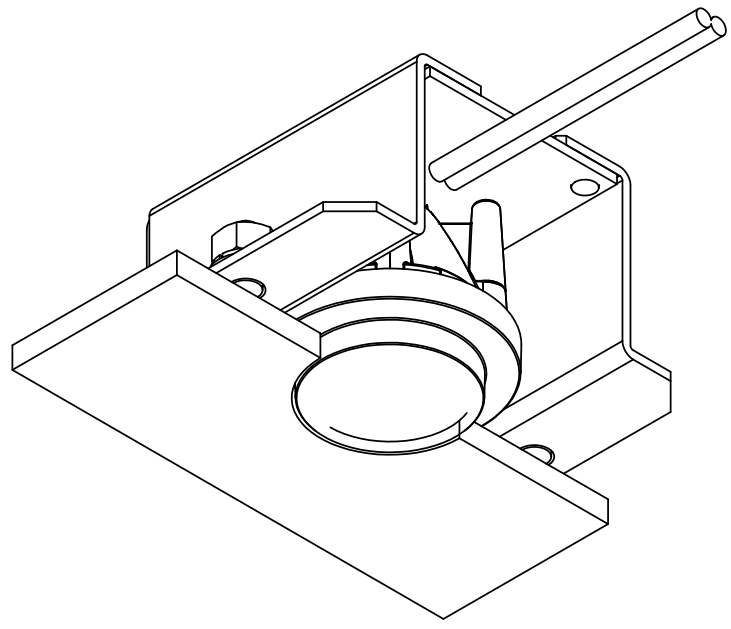
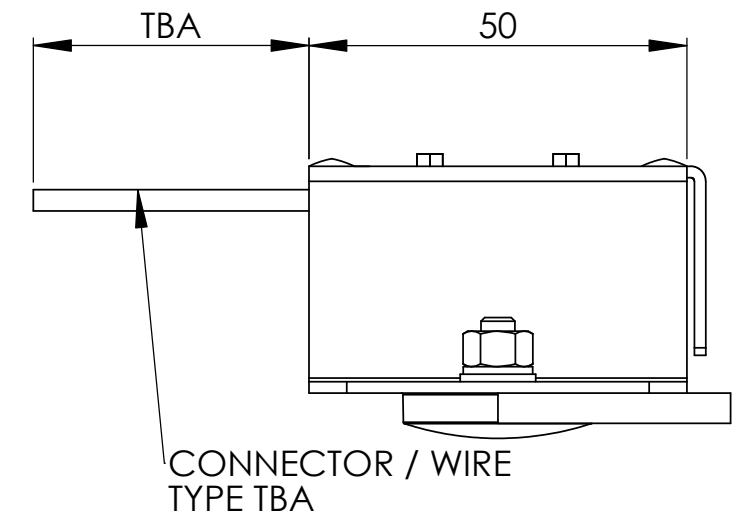
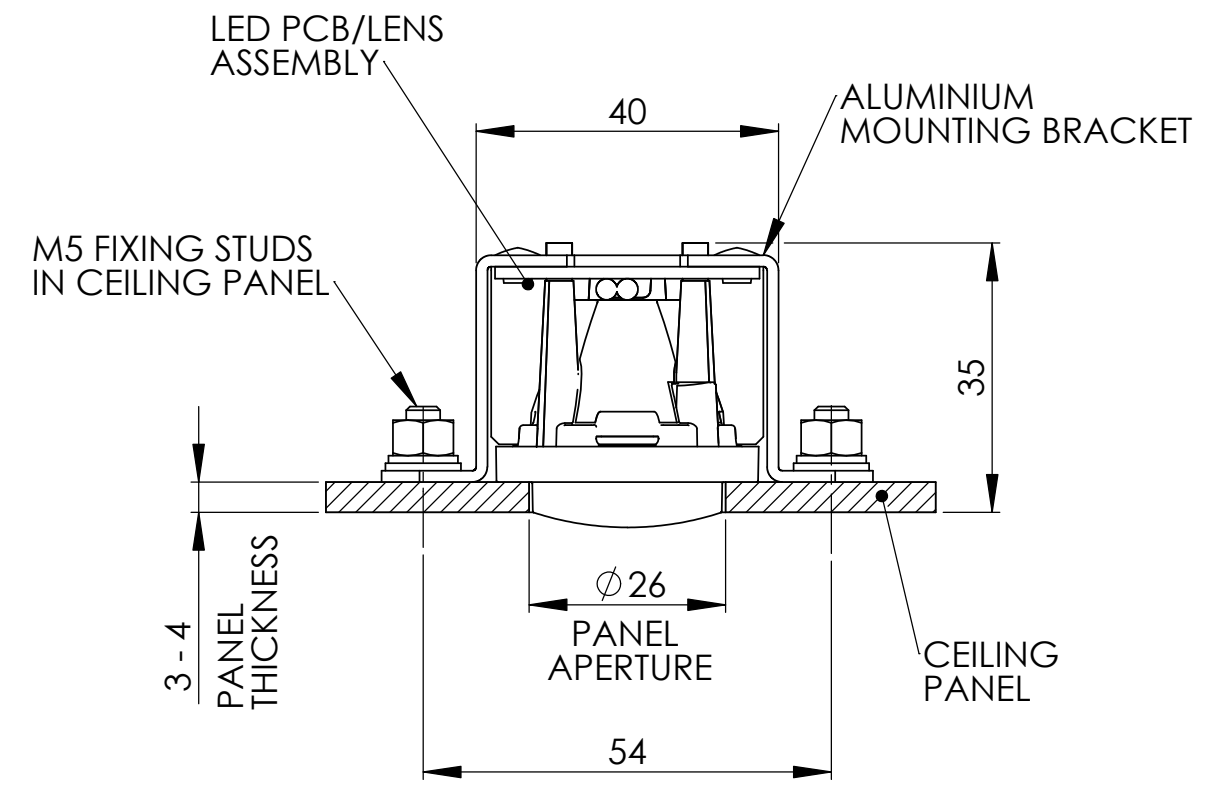



ISO VIEWS
SCALE 1 : 1



01	N/A				
ISS	EC	PREPARED BY	DATE	CHKD & APPRVD BY	DATE

SCALE	1 : 1	ORIG. SIZE	A3
APPROVED FOR MANUFACTURE			
BY:-			DATE:-
IF NOT SIGNED ABOVE THEN DOCUMENT IS FOR REFERENCE PURPOSES ONLY, NOT FOR MANUFACTURE AND NOT SUBJECT TO AMENDMENT CONTROL.			


EXCIL
 PROVIDING SOLUTIONS
 RIPLEY DRIVE, NORMANTON
 WEST YORKSHIRE, WF6 1QT
 TEL: 01924 224100 FAX: 01924 224111

THIS DOCUMENT AND ANY INFORMATION DERIVED FROM IT ARE THE CONFIDENTIAL AND COPYRIGHT PROPERTY OF EXCIL ELECTRONICS LTD, AND MUST NOT BE USED FOR PURPOSES OTHER THAN THOSE FOR WHICH IT WAS SUPPLIED WITHOUT OUR WRITTEN APPROVAL. ©
 EXCIL ELECTRONICS LTD

TITLE	ILE DE FRANCE MOCK UP LED DOWNLIGHT GA		
SHEET 1 OF 1	DOC REF.	699108	ISSUE 01