

1

2

3

4

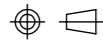
5

6

7

8

THIRD ANGLE PROJECTION



DO NOT SCALE - IF IN DOUBT ASK

ALL DIMENSIONS IN MILLIMETRES UNLESS STATED OTHERWISE

A

A

B

B

C

C

D

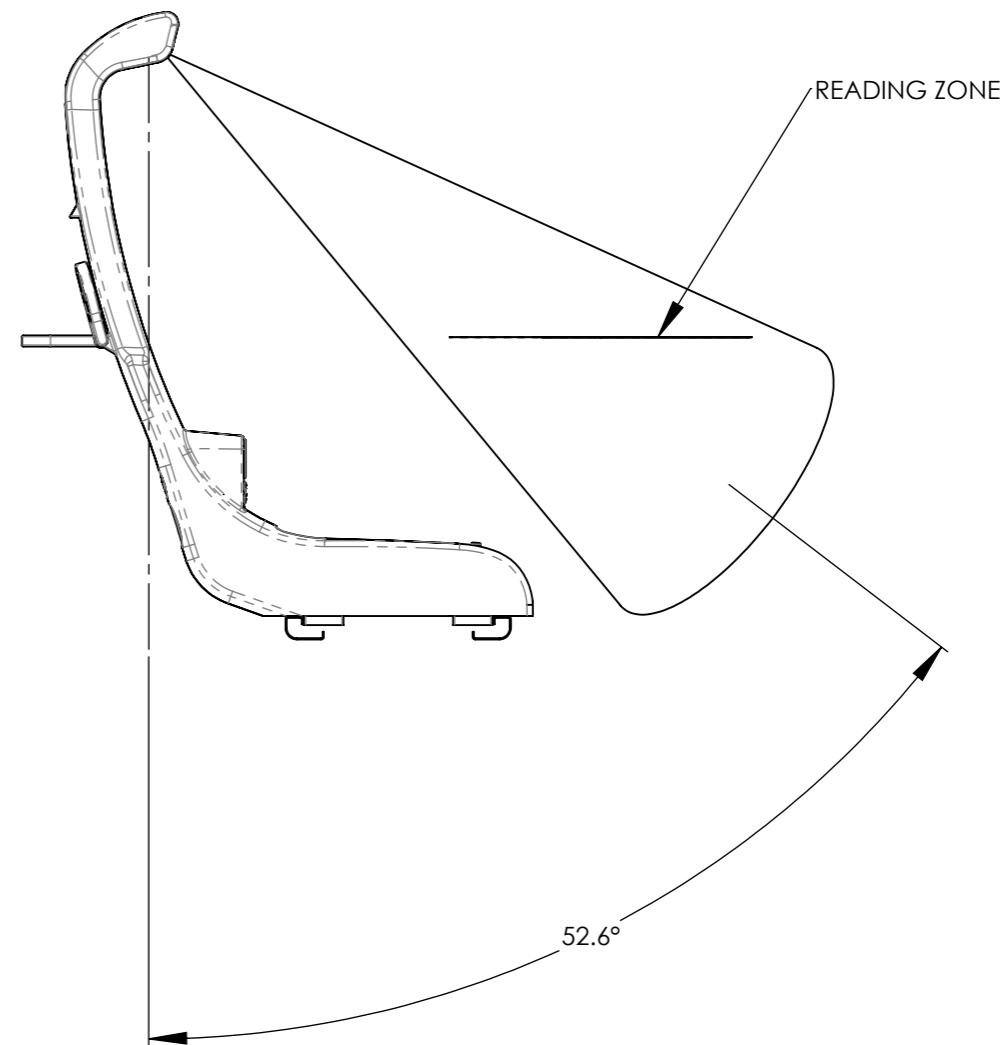
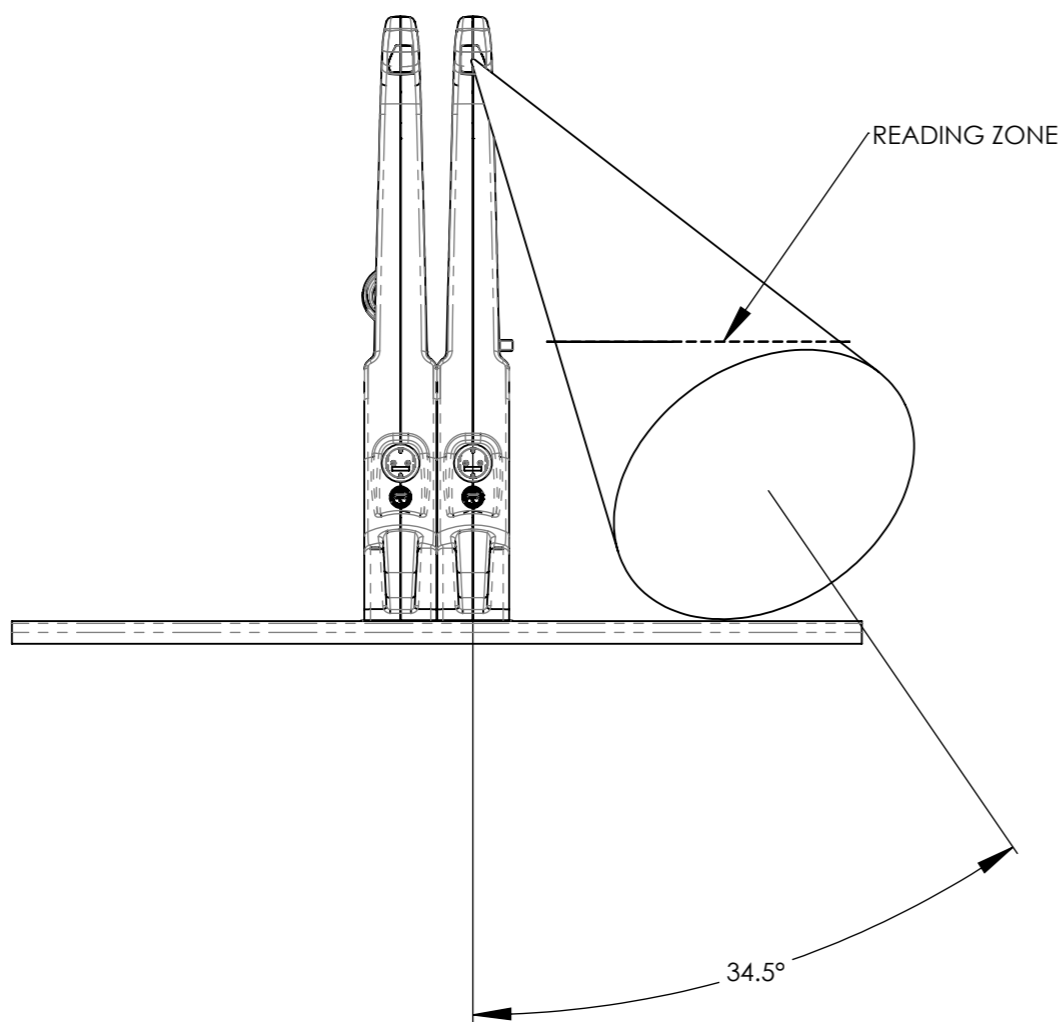
D

E

E

F

F



0	N/A		27/05/2008		
ISS	EC	PREPARED BY	DATE	CHKD & APPRVD BY	DATE

SCALE	1:500	ORIG. SIZE	A3
APPROVED FOR MANUFACTURE			
BY:-	DATE:-		
IF NOT SIGNED ABOVE THEN DOCUMENT IS FOR REFERENCE PURPOSES ONLY, NOT FOR MANUFACTURE AND NOT SUBJECT TO AMENDMENT CONTROL.			



RIPLEY DRIVE, NORMANTON
WEST YORKSHIRE, WF6 1QT
TEL: 01924 224100 FAX: 01924 224111

THIS DOCUMENT AND ANY INFORMATION DERIVED FROM IT ARE THE CONFIDENTIAL AND COPYRIGHT PROPERTY OF EXCIL ELECTRONICS LTD. AND MUST NOT BE USED FOR PURPOSES OTHER THAN THOSE FOR WHICH IT WAS SUPPLIED WITHOUT OUR WRITTEN APPROVAL. © EXCIL ELECTRONICS LTD

SHEET 1 OF 1

TITLE LIGHT BEAM ANGLES

DOC REF. Reading zone

ISSUE 00

Q0103508

1

2

3

4

5

6

7

8