



*Long Life Reliability
does not cost the earth*

LPA Lighting Systems

Ripley Drive, Normanton,
West Yorkshire. WF6 1QT

Tel: 01924 224100 Fax: 01924 224111

Title: Installation Instructions – Lumiwarrior Cornice Wall Mount Samples

Doc. Ref.: 990766

Iss.	ECN. No.	Prepared By	Date	Chkd. & Approved By	Date
01	N/A	M.PERRY	30/08/17	C.MORRIS	30/08/17

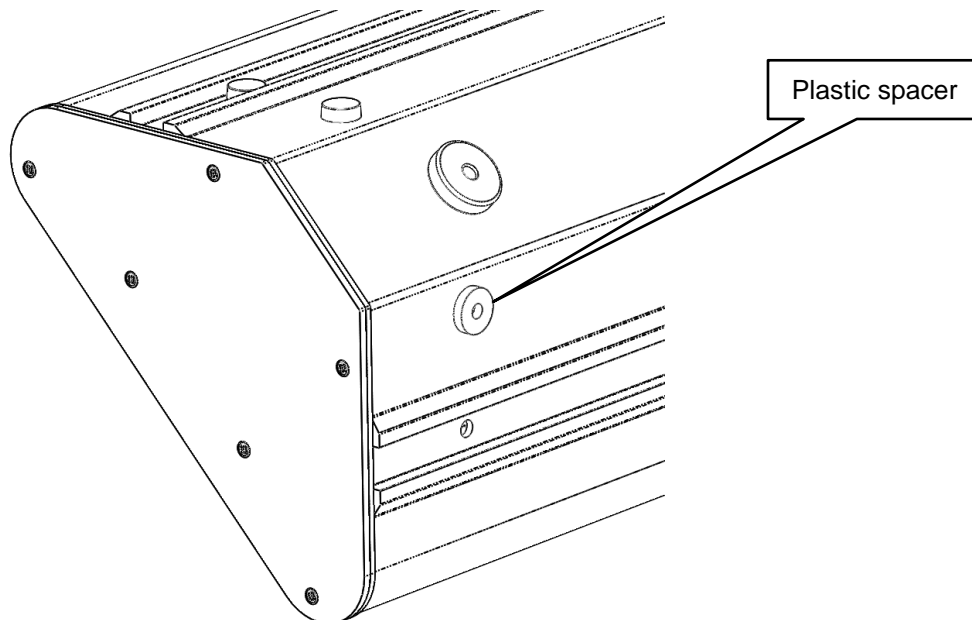
This document and any information derived from it are the confidential and copyright property of LPA Lighting systems Ltd. And must not be used for purposes other than those for which it was supplied without our written approval.

LPA Lighting Systems Ltd. ©

Form Ref. Q01070 Iss 04

Mounting instructions

- a) Refer to LumiWarrior / LumiTwelve Installation Instruction sheet.
- b) Follow step “Accessing input terminals and mounting holes” as detailed on this sheet.
- c) The wall mount sample version has an extra set of mounting holes provided in one of the angled surfaces to give 6 mounting holes in total available for wall mounting.
- d) Remove the rubber bungs from these 6 holes only.
- e) Apply a self-adhesive plastic spacer to each of the uppermost 3 holes as shown below.



- f) Mount the unit to the wall through all 6 holes on this surface using suitable sized screws. Apply sealant to the outside area around these mounting holes if the sealing rating is to be maintained.
- g) Insert inner tray through aperture and push upwards until it clicks into place. Re-insert plastic screws and tighten by hand only. Clip safety lanyards to brackets on each end of the diffuser frame. Refit diffuser frame and tighten each security screw to 1Nm max.