

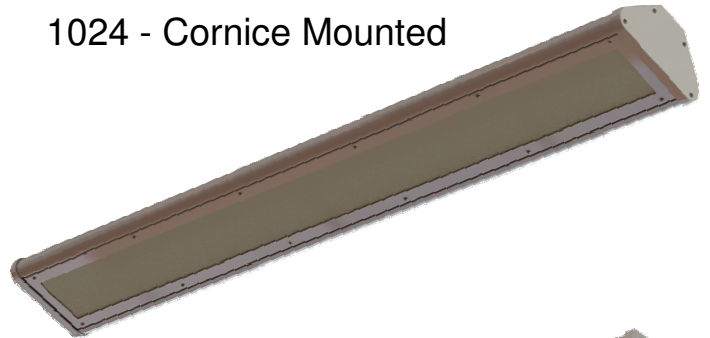
# 1024 / 1032- LumiWarrior Specification Sheet



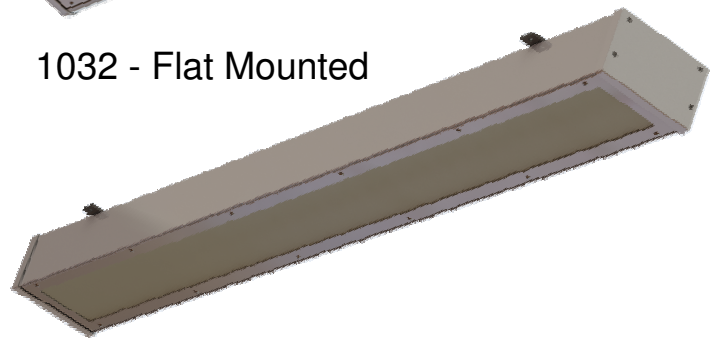
## Luminaire Overview

- › IP65 LED Linear Luminaire
- › 70,000 hours to 70% of initial lumen output
- › High reliability LED technology
- › 5 year warranty - Fit and forget
- › Suitable for both commercial and industrial applications
- › Multiple mounting options and cable entry points
- › All LEDs subject to Blue Light Hazard testing
- › Flicker free
- › Polycarbonate diffuser
- › Anti-vandal

1024 - Cornice Mounted



1032 - Flat Mounted



## Product Codes

Product Name	Series	Intensity	Size	Colour Temp	Diffuser	Fixings	Cable	Loop in Loop out	Colour	Options
LW	1024 - Cornice	S - Standard	12 - 1200mm	C - Cool	O - Opal	I - Internal	B - Back	S - Single	W - White	Z - Standard
	1032 - Flat	H - High	15 - 1500mm	N - Natural W - Warm	C - Clear	E - External Brackets C - Conduit	E - End S - Side	D - Double	G - Grey B - Black	E - Emergency D - Dali DE - Dali Emergency



IP65



\*Cool white- 6000K - 6500K

\*Warm White- 2900K - 3200K

\*Natural white- 4000K - 4200K

LPA Excil Electronics  
Ripley Drive  
Normanton  
Wakefield  
WF6 1QT

Email | Enquiries@lpa-excil.com  
Website | www.lpa-group.com  
Switchboard | +44 (0) 1924 224100  
Fax | +44 (0) 1924 224111

## Technical Specification

Size	1200mm	1200mm	1500mm	1500mm
Intensity	Standard	High	Standard	High
Input power	27W	49W	35W	64W
Input voltage range (VAC)	90 - 277	90 - 277	90 - 277	90 - 277
AC Input Current (Max load @ 230VAC)	0.12A	0.21A	0.16A	0.29A
Fluorescent equivalent	1x36W T8	2x36W T8	1x58W T8	2x58W T8
Power Factor	0.95	0.95	0.95	0.95
Power converter efficiency	90%	90%	90%	90%
Operating temperature range (°C)	-25° - +50°	-25° - +50°	-25° - +50°	-25° - +50°
Operating hours to 70% of initial lumen output (hrs)	70,000	70,000	70,000	70,000
CRI (Cool/Natural/Warm)	≥80	≥80	≥80	≥80
MTBF MIL-HDBK-217F (40°C) (hrs)	178,000	178,000	150,000	150,000
MTBF MIL-HDBK-217F (40°C) - Dali (hrs)	159,000	159,000	132,000	132,000

## Photometric Data

Size	Power Consumption	Total Luminaire Lumens - Opal Diffuser	Total Luminaire Lumens - Clear Diffuser
1200mm	Standard	1989	2235
1200mm	High	4000	4552
1500mm	Standard	2221	3104
1500mm	High	5031	5701

## Emergency

Battery voltage	Total Luminaire Luminous Flux in emergency (lm)	Emergency duration with 4Ah battery pack (hrs)
4.8V	207	≥3



IP65

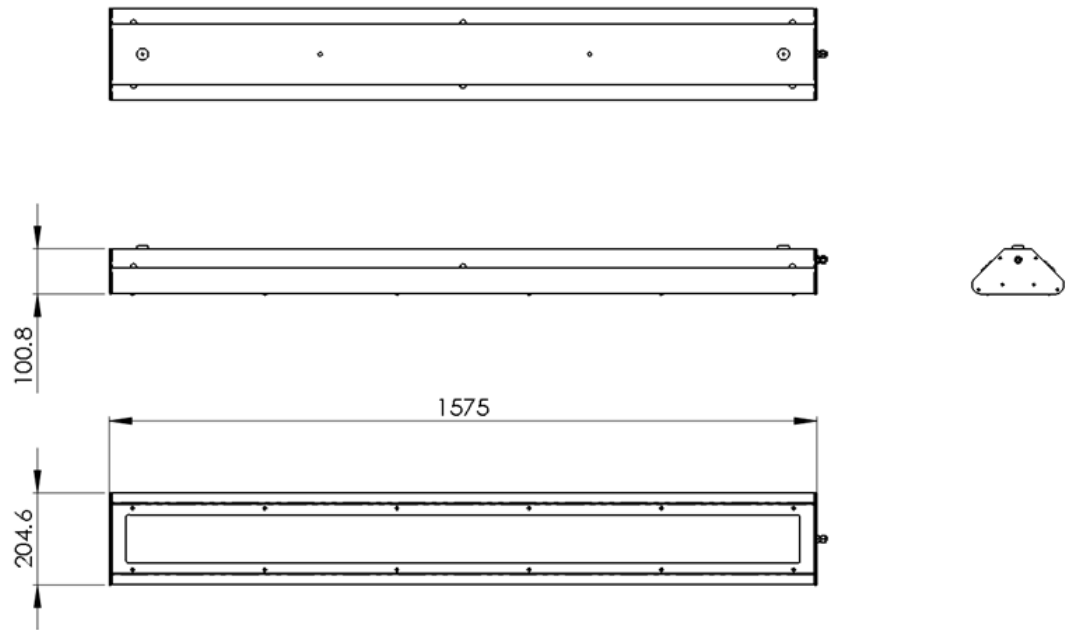


LPA Excil Electronics  
Ripley Drive  
Normanton  
Wakefield  
WF6 1QT

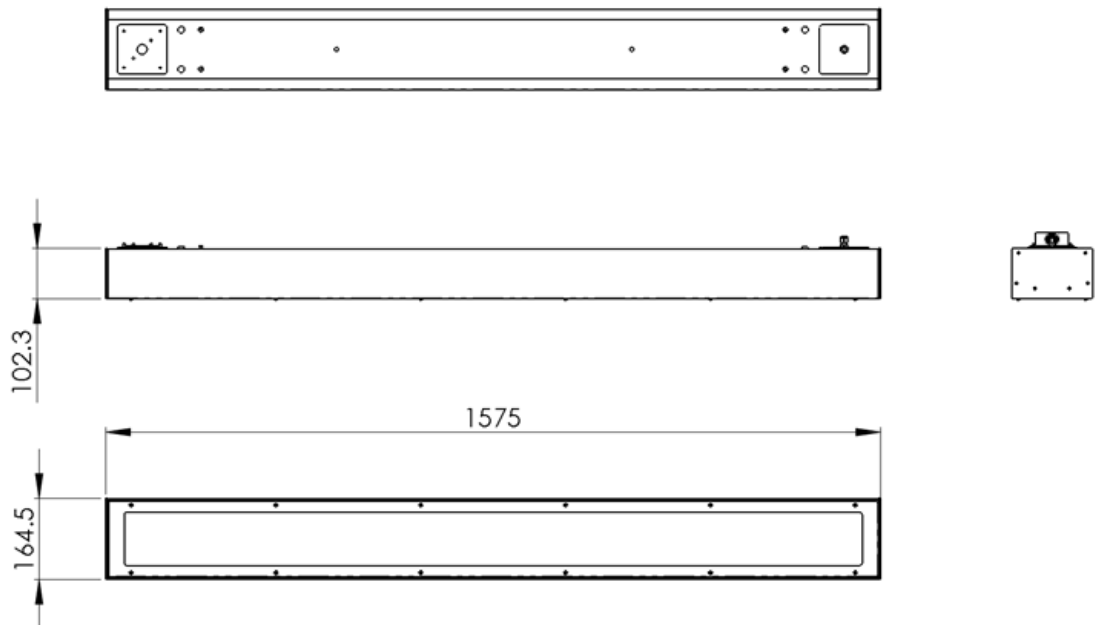
Email | Enquiries@lpa-excil.com  
Website | www.lpa-group.com  
Switchboard | +44 (0) 1924 224100  
Fax | +44 (0) 1924 224111

# Mechanical Specification

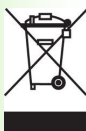
## 1024 Series Cornice



## 1032 Series Flat



IP65



\*LPA Excil Electronics reserves the right to amend or retract any information supplied on this specification sheet.

LPA Excil Electronics  
Ripley Drive  
Normanton  
Wakefield  
WF6 1QT

Email | Enquiries@lpa-excil.com  
Website | www.lpa-group.com  
Switchboard | +44 (0) 1924 224100  
Fax | +44 (0) 1924 224111

## Mechanical Specification

- › Suspended, surface mount, end to end or cornice mounted
- › Recess mounting available
- › Polycarbonate diffuser
- › Aluminium gear tray and end caps
- › Painted finish - White. Other colours can be available upon request.
- › Opal and clear diffuser options available
- › Loop in loop out options
- › Multiple cable entry options - Through the back (top), side entry and through the end plate entry
- › Vandal resistant

Luminaire	Weight
1024 Series - 1500mm	12kg
1024 Series - 1200mm	8.5kg
1032 Series - 1500mm	11.5kg
1032 Series - 1200mm	8.1kg



**IP65**



\*LPA Excil Electronics reserves the right to amend or retract any information supplied on this datasheet sheet.

LPA Excil Electronics  
Ripley Drive  
Normanton  
Wakefield  
WF6 1QT

Email | Enquiries@lpa-excil.com  
Website | www.lpa-group.com  
Switchboard | +44 (0) 1924 224100  
Fax | +44 (0) 1924 224111