

Imperium LED Highbay 991 Series



Luminaire Overview

- › Robust IP65 Highbay luminaire
- › Specialised Highbay optics
- › 100'000 hours to 70% of initial lumen output
- › High efficacy
- › Twin and Quadruple layout options
- › High reliability LED technology
- › Suitable for both commercial and industrial applications
- › 5 year warranty
- › Fit and forget



Technical Specification

Input voltage range (VAC)	90 - 264V
AC Input Current (Max load @ 230VAC)	0.46A
Input Power (Max load @ 230VAC)	105W
Power Factor	0.95
Power converter efficiency	92%
IP rating	IP65
Operating temperature range	-25°C - +50°C
Operating hours to 70% of initial lumen output (hrs)	100'000
MTBF MIL-HDBK-217F (25°C) (hrs)	93'000
CRI	>80

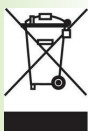
Product Codes

Product Name	Series	Optics	Colour Temperature	Options
IHB	› 991	› HB - Highbay	› C - Cool*	› Z - Standard

*Cool white - 5000K



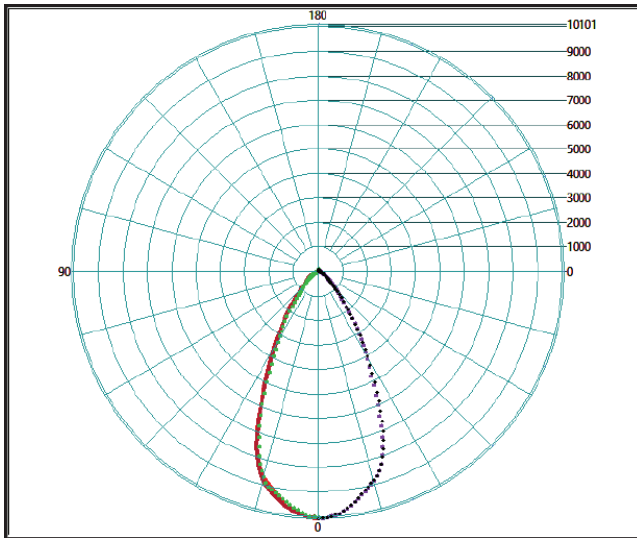
IP65



LPA Excil Electronics
Ripley Drive
Normanton
Wakefield
WF6 1QT

Email | ledsales@lpa-excil.com
Website | www.lpa-group.com
Switchboard | +44 (0) 1924 224100
Fax | +44 (0) 1924 224111

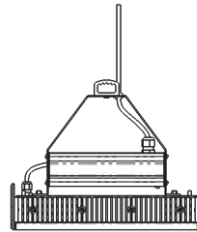
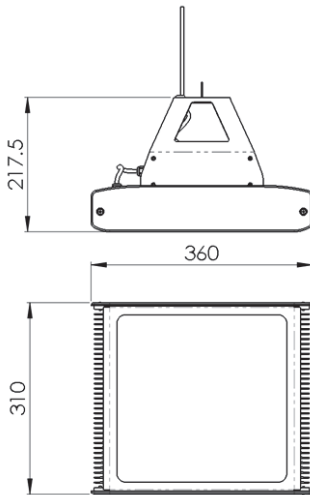
Photometric Data



Total Source Luminous Flux lm	Total Luminaire Luminous Flux lm	Luminous Efficacy lm/W
11'500	9,000	87

*Photometric data available on request.

Mechanical Specification



- > Flying lead with a three way terminal block
- > Suspension mounting using a single or double chain
- > Fabricated and extruded Aluminium housing
- > Clear polycarbonate diffuser
- > Weight - 4.42kg
- > IP65 mains connector is required for IP65 applications. (Connector supplied – IP30)
- > Suitable for internal use only



IP65



LPA Excil Electronics
Ripley Drive
Normanton
Wakefield
WF6 1QT

Email | ledsales@lpa-excil.com
Website | www.lpa-group.com
Switchboard | +44 (0) 1924 224100
Fax | +44 (0) 1924 224111

Mounting Options

Single Mounting Option



Twin Mounting Option*



Quad Mounting Option*



*Mounting kit required with Twin and Quad variants

Mounting Kit Requirements	Part Code
Twin Bracket	IHB991137
Quad Bracket	IHB991149



IP65



The 991 Series complies with the following standards:

- > EN 60598-1 General luminaire standards
- > EN55015:2006 Limits for electro magnetic interference for luminaires
- > EN 61547: 2009 EMI Immunity requirements for luminaires

LPA Excil Electronics
Ripley Drive
Normanton
Wakefield
WF6 1QT

Email | ledsales@lpa-excil.com
Website | www.lpa-group.com
Switchboard | +44 (0) 1924 224100
Fax | +44 (0) 1924 224111